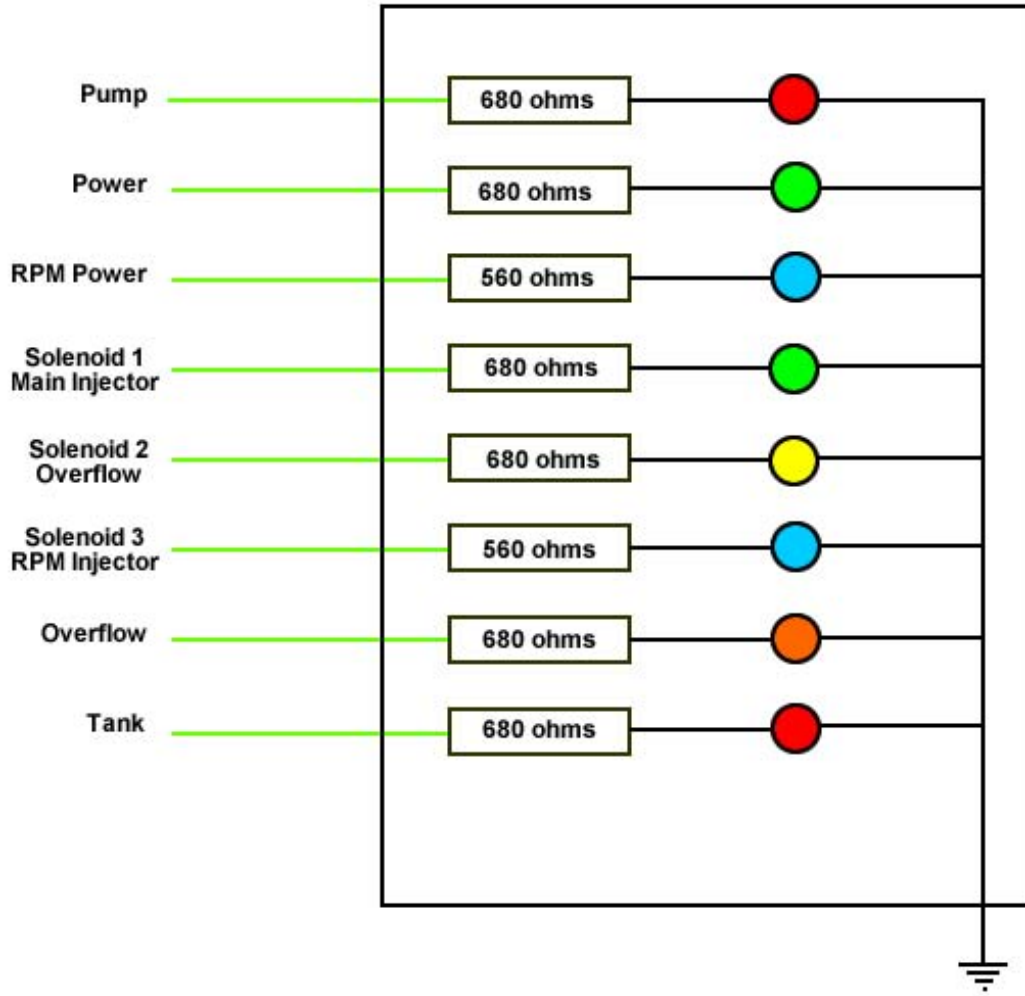


LED Panel



Blue LED's have a 560 ohm resistor. All others use a 680 ohm resistor.